

Clear Thinking with Kewtech Insulation testing

Instrument: Select insulation and appropriate test voltage.

STEP 1

Consumer unit must be isolated (Mains switch off) and all CBs on.

STEP 2

Line and neutral conductors can be tested by attaching a test link lead as shown on diagram. This will give line and neutral to earth insulation values with just one test. NB. Remove link lead after testing.

STEP 3

Measure between line and neutral.

STEP 4

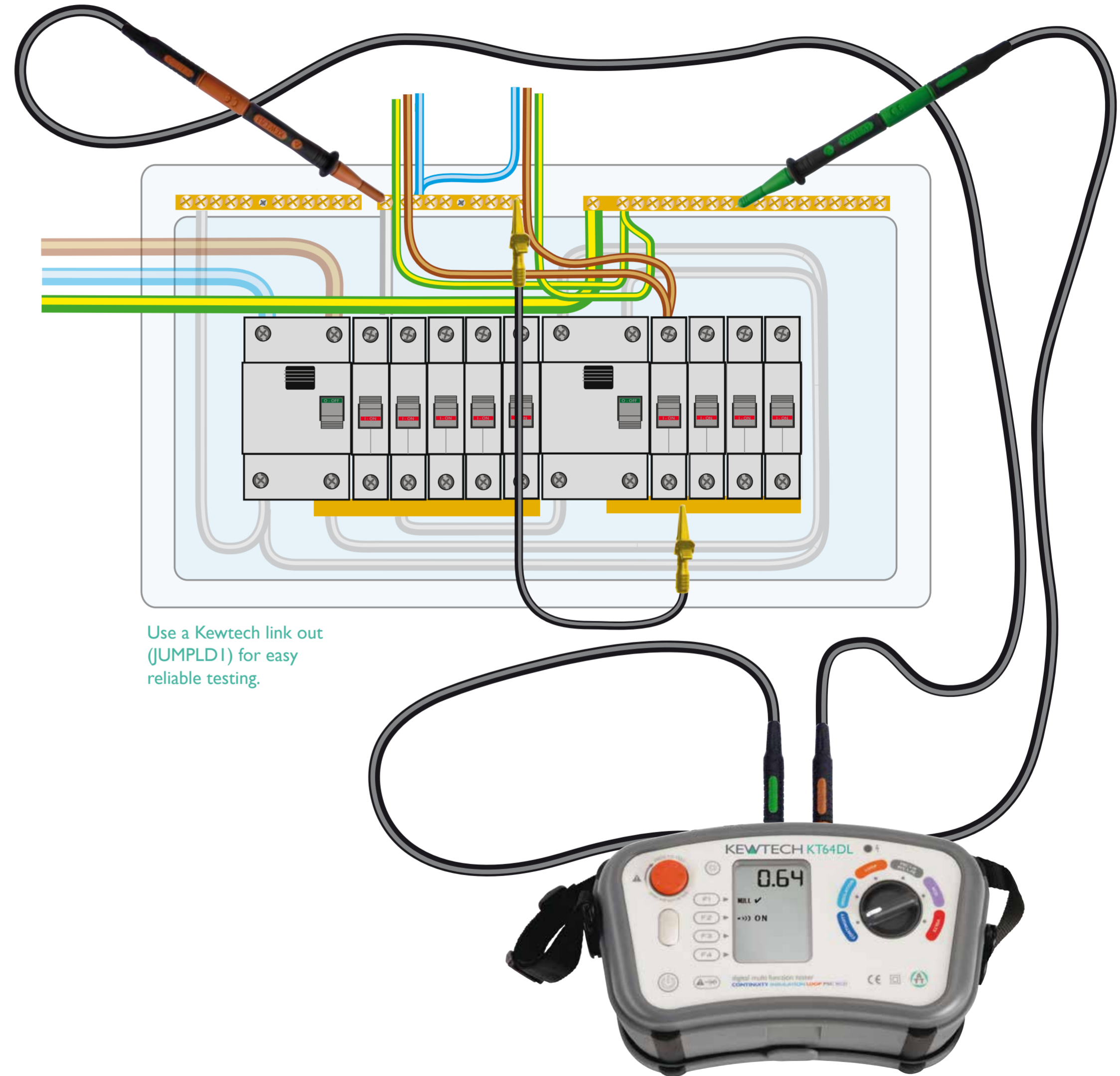
Measure between line and earth.

STEP 5

Measure between neutral and earth.

STEP 6

If insulation is below 2MΩ then circuits will have to be tested individually to determine the reasons for the lower values.



Use a Kewtech link out (JUMPLD1) for easy reliable testing.

Circuit nominal voltage (V)	Test voltage dc	Min. insulation resistance (MΩ)
SELV & PELV	250V	≥ 0.5 Mohms
Up to 500V	500V	≥ 1.0 Mohms
Above 500V	1000V	≥ 1.0 Mohms



Scan to view video

Kewtech 'Clear Thinking' diagrams are schematics to aid the understanding of electrical testing. Ensure proper safety procedures are taken before any testing.

Johnny Ace says:
Remember to disconnect all sensitive equipment from the circuit prior to testing.

