

Clear Thinking with Kewtech

Testing a ring final circuit - Step 2

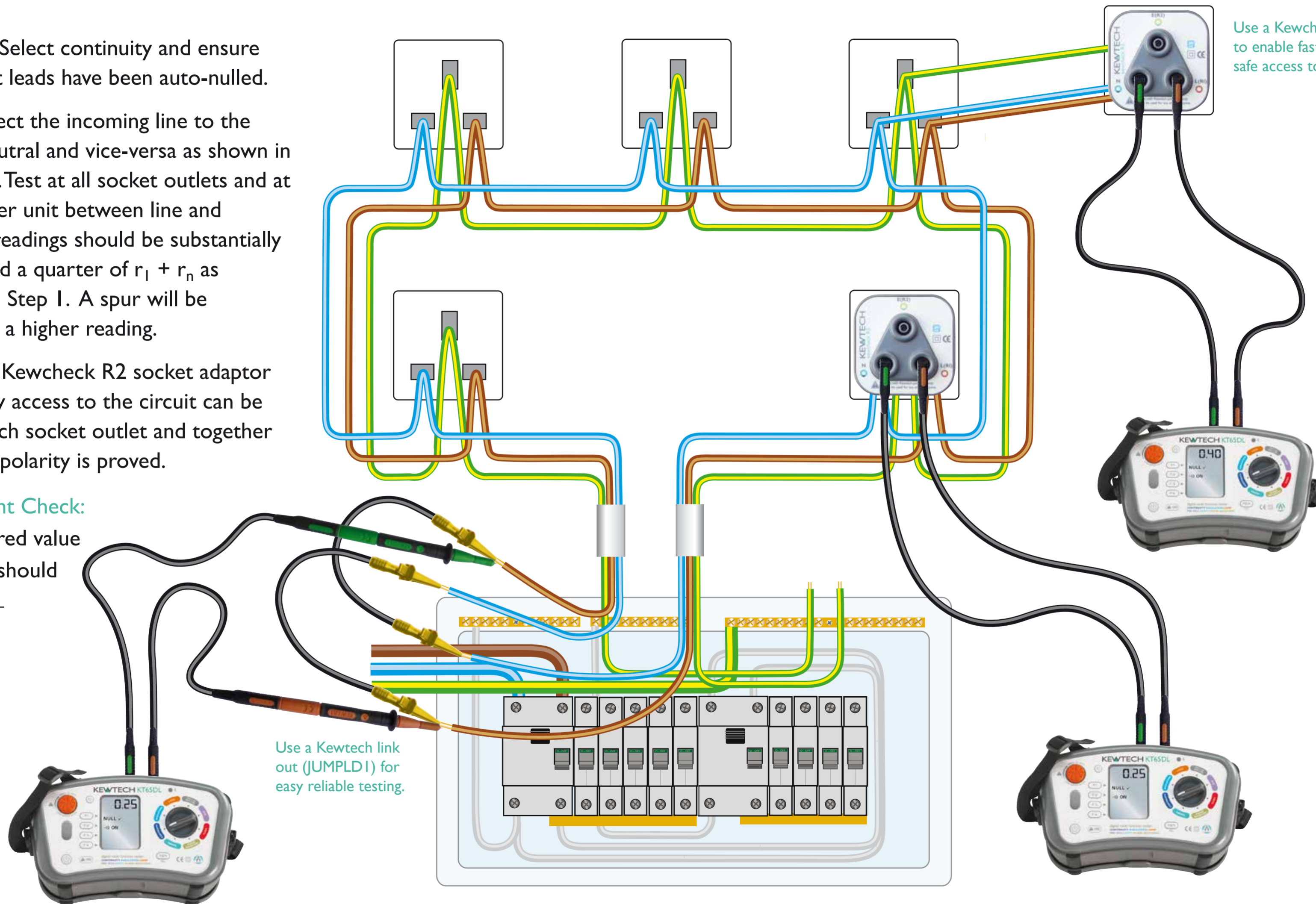
Instrument: Select continuity and ensure that the test leads have been auto-nulled.

Cross connect the incoming line to the outgoing neutral and vice-versa as shown in the diagram. Test at all socket outlets and at the consumer unit between line and neutral. All readings should be substantially the same and a quarter of $r_l + r_n$ as measured in Step 1. A spur will be indicated by a higher reading.

Tip: Using a Kewcheck R2 socket adaptor fast and easy access to the circuit can be gained at each socket outlet and together with Step 3 polarity is proved.

Measurement Check:

Each measured value on the ring should be
$$be = \frac{r_l + r_n}{4}$$



Use a Kewcheck R2 to enable fast and safe access to circuit.

Use a Kewtech link out (JUMPLD1) for easy reliable testing.



Scan to view video

Kewtech 'Clear Thinking' diagrams are schematics to aid the understanding of electrical testing. Ensure proper safety procedures are taken before any testing.

Johnny Ace says:
Remember to operate all switches while conducting tests.

