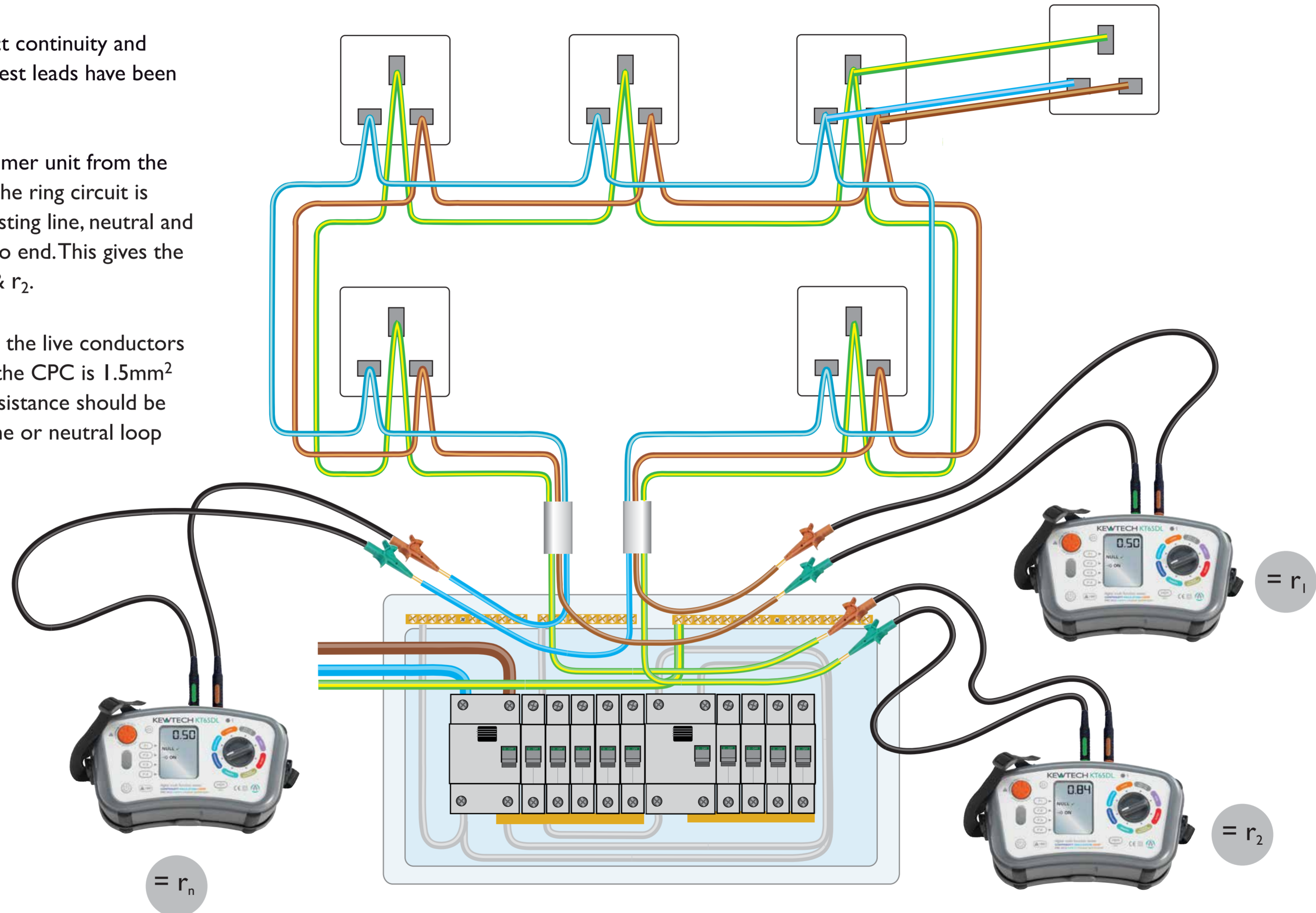


## Testing a ring final circuit - Step 1

**Instrument:** Select continuity and ensure that the test leads have been auto-nulled.

Isolate the consumer unit from the supply. Test that the ring circuit is continuous by testing line, neutral and CPC loops end to end. This gives the values for  $r_l$ ,  $r_n$  &  $r_2$ .

Note that where the live conductors are  $2.5\text{mm}^2$  and the CPC is  $1.5\text{mm}^2$  then the CPC resistance should be 1.67 times the line or neutral loop resistance.



Scan to view video

Kewtech 'Clear Thinking' diagrams are schematics to aid the understanding of electrical testing. Ensure proper safety procedures are taken before any testing.

Johnny Ace says:  
Remember to operate any fuse spur switches.

