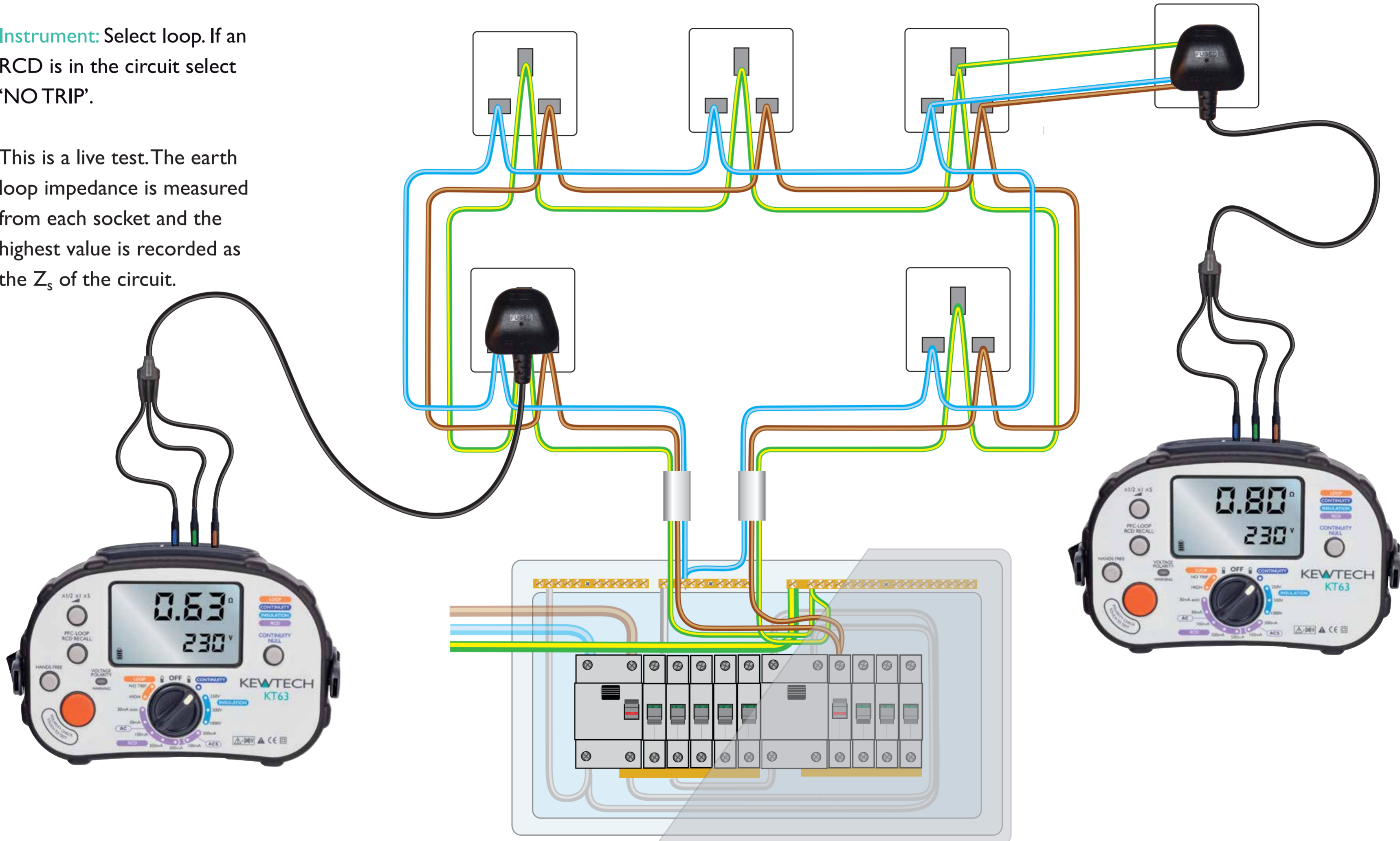


# Clear Thinking with Kewtech Zs Testing - ring final circuit

**Instrument:** Select loop. If an RCD is in the circuit select 'NO TRIP'.

This is a live test. The earth loop impedance is measured from each socket and the highest value is recorded as the  $Z_s$  of the circuit.



Note: When carrying out live testing cover must be closed



Scan to view videos

Kewtech 'Clear Thinking' diagrams are schematics to aid the understanding of electrical testing. Ensure proper safety procedures are taken before any testing.

Johnny Ace says:  
Remember to check measurements with  $Z_e$  and continuity reading, record the highest value.

