

# Clear Thinking with Kewtech

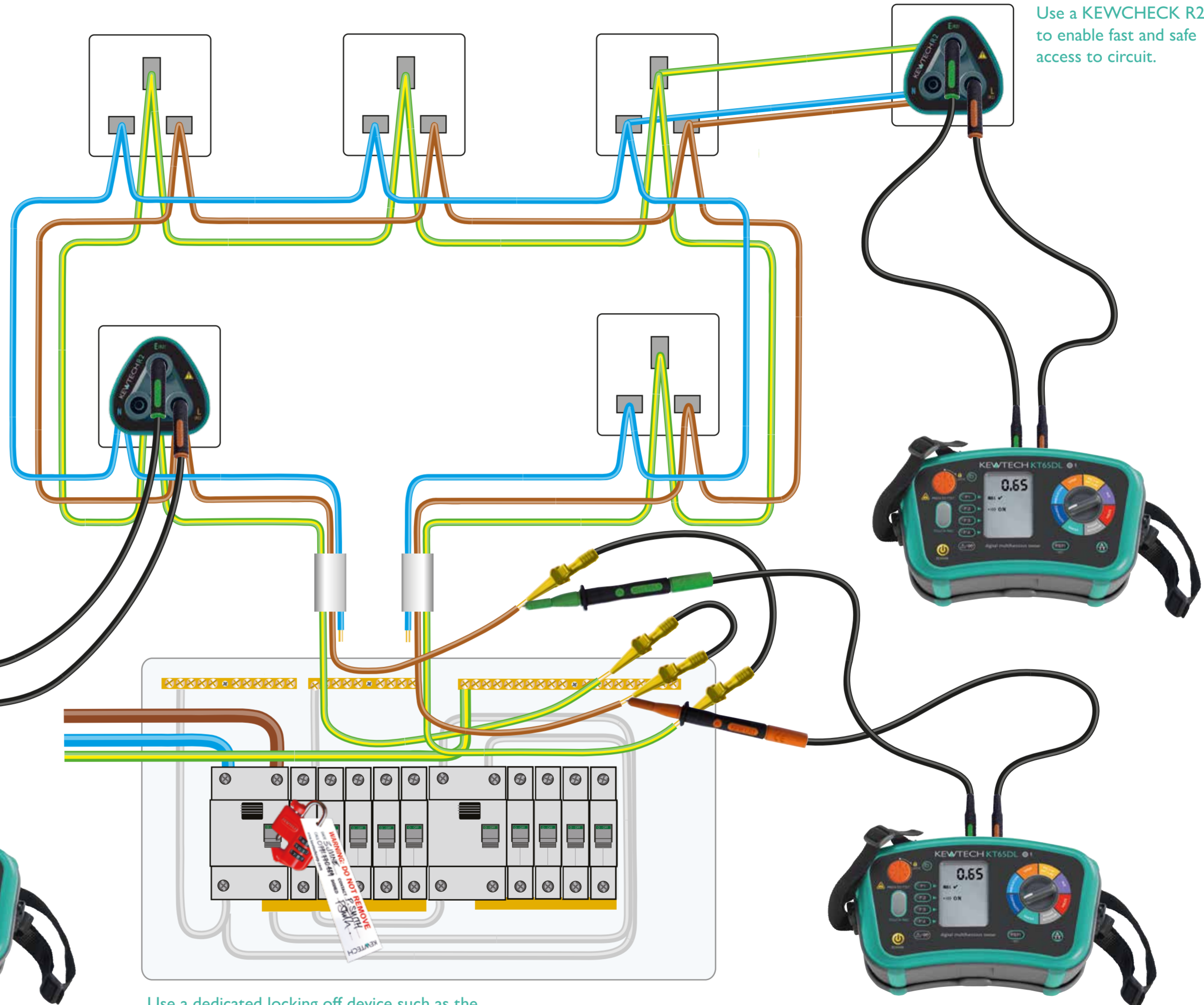
## Testing a ring final circuit - Step 3

**Instrument:** Select continuity and ensure that the test leads have been auto-nulled.

Cross connect the incoming line to the outgoing cpc and vice-versa as shown in the diagram. Test at all socket-outlets & any spurs and at the consumer unit between line and cpc. All readings should be substantially the same and a quarter of  $r_1 + r_2$  as measured in Step 1. A spur will be indicated by a higher reading.

**Tip:** Using a KEWCHECK R2 socket adaptor, fast and easy access to the circuit can be gained at each socket outlet and together with Step 2, polarity is proved.

**Measurement Check:** Each measured value on the ring should approximately be

$$= \frac{r_1 + r_2}{4}$$


Use a dedicated locking off device such as the KEWLOK which provides one device for all toggle type MCBs and main switches.



Scan to view video

Kewtech 'Clear Thinking' diagrams are schematics to aid the understanding of electrical testing. Ensure proper safety procedures are taken before any testing.

Johnny Ace says:

Remember to operate all switches to confirm polarity and record the highest measured value in the  $R_1 + R_2$  column of your test schedule.

