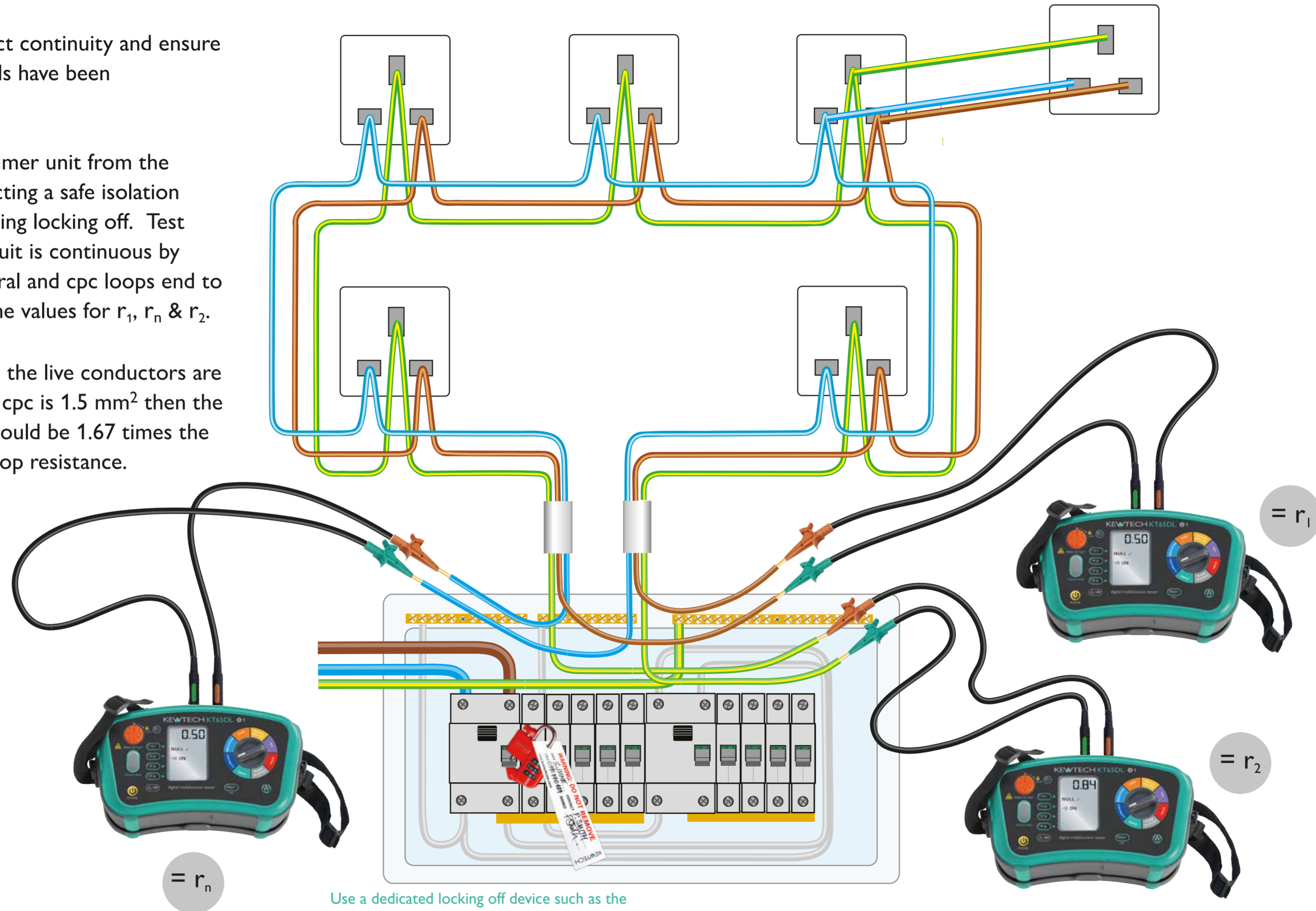


Testing a ring final circuit - Step 1

Instrument: Select continuity and ensure that the test leads have been auto-nulled.

Isolate the consumer unit from the supply by conducting a safe isolation procedure including locking off. Test that the ring circuit is continuous by testing line, neutral and cpc loops end to end. This gives the values for r_1 , r_n & r_2 .

Note that where the live conductors are 2.5 mm^2 and the cpc is 1.5 mm^2 then the cpc resistance should be 1.67 times the line or neutral loop resistance.



Use a dedicated locking off device such as the KEWLOK which provides one device for all toggle type MCBs and main switches.



Scan to view video

Kewtech 'Clear Thinking' diagrams are schematics to aid the understanding of electrical testing. Ensure proper safety procedures are taken before any testing.

Johnny Ace says:

Remember, during testing constantly inspect the installation for faults and signs of damages

